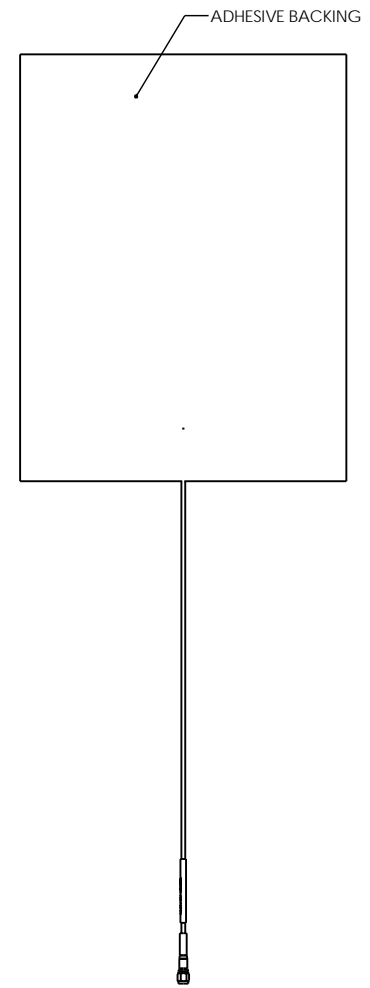
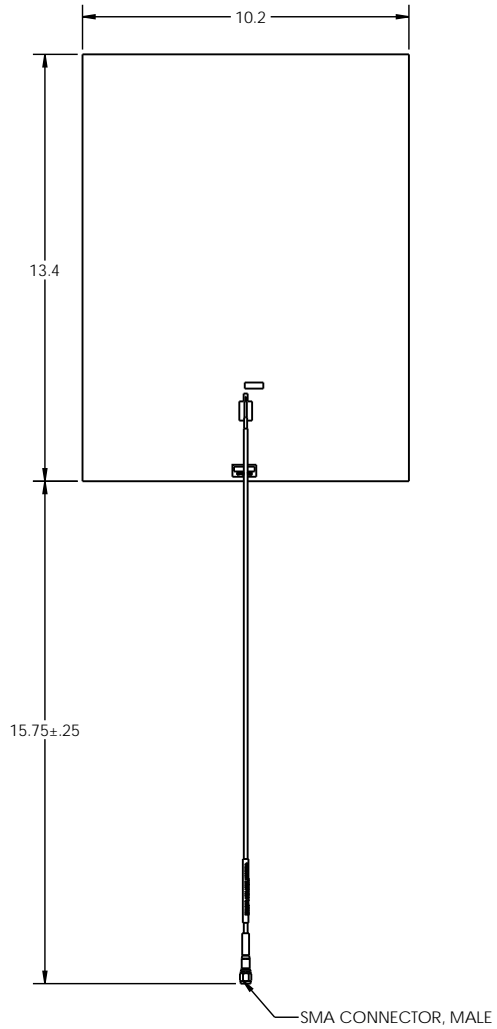


- NOTES:
1. PHARAD P/N: 102285
  2. TRACEABILITY: PHARAD S/N
  3. PART MARKING: PHARAD MODEL NUMBER
  4. FREQUENCY OF OPERATION: 225-6000 MHz
  5. WEIGHT: 1 OZ

REVISIONS				
ZONE	REV.	DESCRIPTION	DATE	APPROVED
N/A	A-01	ENG RELEASE	12/4/2013	HJJ
N/A	A-02	MOVE S/N LABEL	2/14/2014	HJJ



**PROPRIETARY AND CONFIDENTIAL**  
 THE INFORMATION CONTAINED IN THIS DRAWING IS THE SOLE PROPERTY OF PHARAD, LLC. ANY REPRODUCTION IN PART OR AS A WHOLE WITHOUT THE WRITTEN PERMISSION OF PHARAD, LLC IS PROHIBITED.

UNLESS OTHERWISE SPECIFIED:		NAME	DATE
DIMENSIONS ARE IN INCHES		HJJ	11/26/2013
TOLERANCES:		NAME	DATE
TWO PLACE DECIMAL ±.010		DG	11/26/2013
THREE PLACE DECIMAL ±.005		DN	11/26/2013
ANGULAR ±°		AF	11/26/2013
MATERIAL	SEE NOTES	COMMENTS:	
FRESH	SEE NOTES		
DO NOT SCALE DRAWING			

PHARAD, LLC 1340 CHARWOOD ROAD, SUITE L HANOVER, MD 21076		
TITLE: <b>APPLIQUE ANTENNA, 225-6000 MHz</b>		
SIZE	DWG. NO.	REV
<b>C</b>	<b>AA-225-6000</b>	<b>A-02</b>
SCALE: 1:4		SHEET 1 OF 1