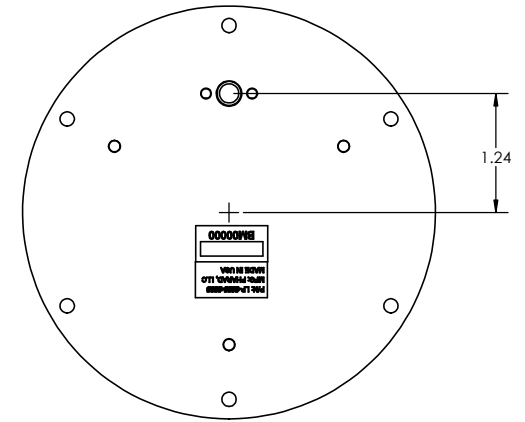
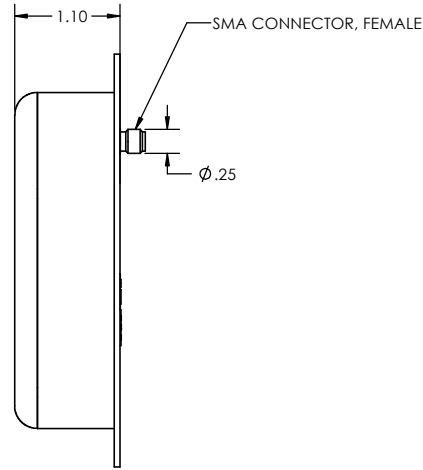
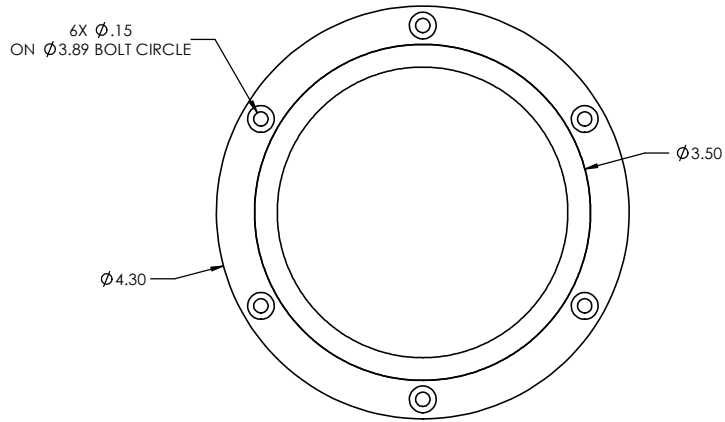


NOTES:

1. PHARAD P/N: 101519
2. TRACEABILITY: PHARAD S/N
3. PART MARKING: PHARAD MODEL NUMBER
4. FREQUENCY OF OPERATION: 1850-1990 MHz
5. WEIGHT: 5 OZ

REVISIONS				
ZONE	REV.	DESCRIPTION	DATE	APPROVED
N/A	A-01	ENG RELEASE	10/16/2013	HJJ



PROPRIETARY AND CONFIDENTIAL
THE INFORMATION CONTAINED IN THIS DRAWING IS THE SOLE PROPERTY OF PHARAD, LLC. ANY REPRODUCTION IN PART OR AS A WHOLE WITHOUT THE WRITTEN PERMISSION OF PHARAD, LLC IS PROHIBITED.

UNLESS OTHERWISE SPECIFIED:		NAME	DATE
DIMENSIONS ARE IN INCHES		HJJ	10/11/2013
TOLERANCES:		CHECKED	DG
TWO PLACE DECIMAL ±.010		ENG APPR.	DN
THREE PLACE DECIMAL ±.005		MFG APPR.	AF
ANGULAR ±1°			10/11/2013
MATERIAL:	SEE NOTES	COMMENTS:	
FINISH:	SEE NOTES		
DO NOT SCALE DRAWING			

PHARAD, LLC 1340 CHARWOOD ROAD, SUITE L HANOVER, MD 21076	
TITLE: LOW PROFILE UAV ANTENNA, 1850-1990 MHz	
SIZE	DWG. NO.
C	LP-1850-1990
SCALE: 1:1	REV A-01
SHEET 1 OF 1	